

# DC FAN

25x25x7mm(0.98"x0.98"x0.27")



## General Specification:

**Frame:**PBT(Black)UL94V-0

**Impeller:**PBT(Black)UL94V-0

**Operating Temperature:**-10°C~70°C

### Motor Protection:

Auto Restart or Polarity Protection

### Insulation Resistance:

20MΩ or over with a DC500V Megger

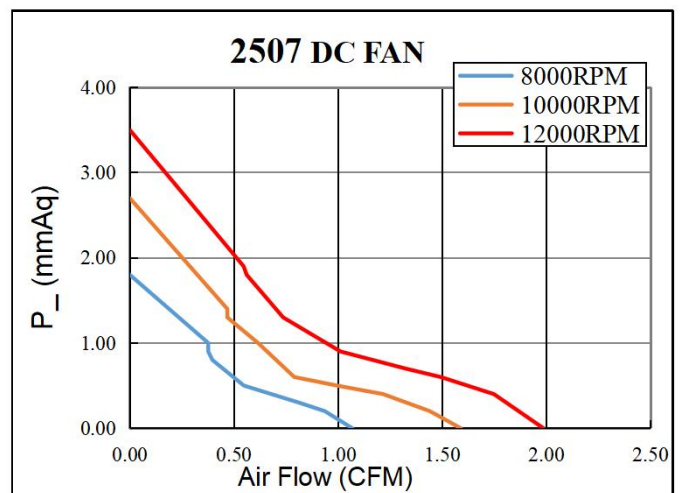
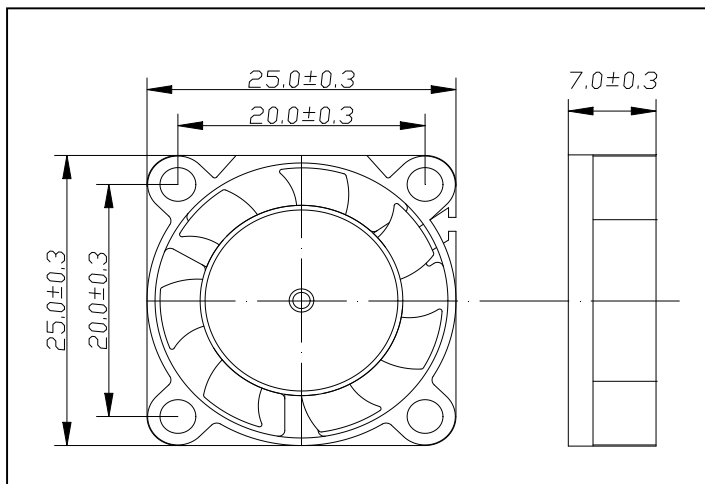
### Dielectric Withstand Voltage:

AC500V 1s

### Bearing Type:

Sleeve Bearing or Ball bearing

Model No.	Bearing Type	Voltage (V)	Speed Type	Speed (RPM)	Current (A)	AirFlow (CFM)	Pressure (mmAq)	Noise (dBA)	Weight (g)
D02507	S	5	H	12000	0.23	1.78	4.50	31	6
			M	10000	0.16	1.55	3.50	26	
			L	8000	0.11	1.18	1.80	20	
		12	H	12000	0.10	1.78	4.50	31	
			M	10000	0.09	1.55	3.50	26	
			L	8000	0.07	1.18	1.80	20	



- © All reading are typical values at rated voltage.
- © Parameters can be set according to customer requirements.
- © Specification are subject to change without notice.